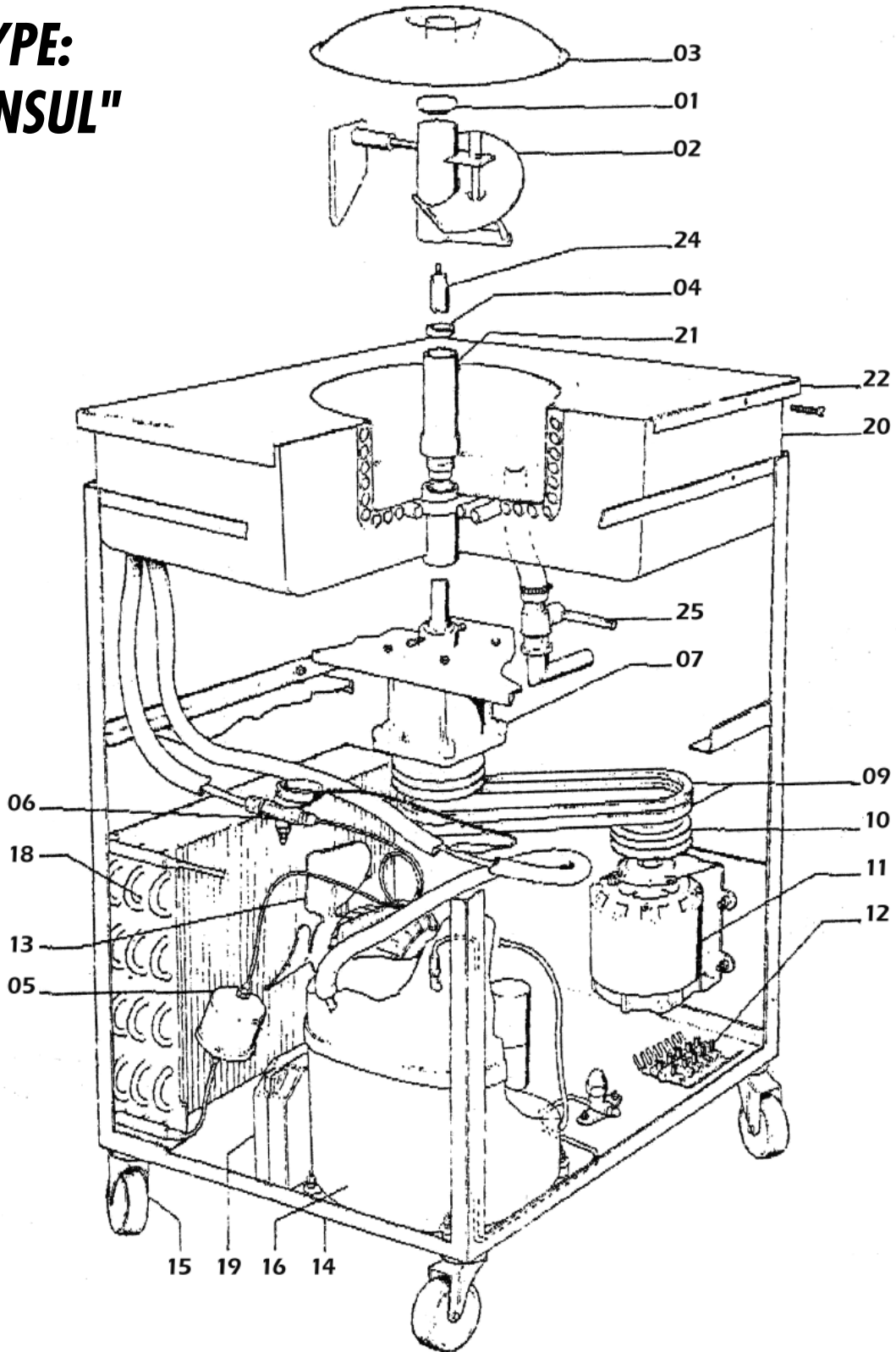


TYPE:
"CONSUL"



NO	DESCRIPTION	NO	DESCRIPTION	NO	DESCRIPTION
1	Paddle nut	10	Pulleys	19	Compr. elect. parts
2	Paddle	11	Drive motor	20	Insulator
3	Plastic lid	12	Junction box	21	Shaft sleeve
4	Shaft bush	13	Fan motor	22	SS top case
5	Filter	14	Base	24	Shaft
6	Valve	15	Wheels	25	Drain valve
7	Gearbox	16	Compressor		
9	Belt	18	Condenser		